

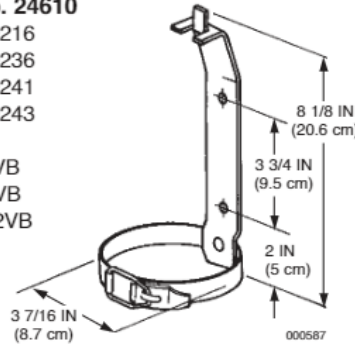
SENTRY® DRY CHEMICAL & CLEANGUARD® EXTINGUISHER BRACKETS

Brackets are available for each SENTRY hand portable extinguisher. Certain applications require extinguishers to be mounted in brackets for safety and restraint.



Part No. 24610

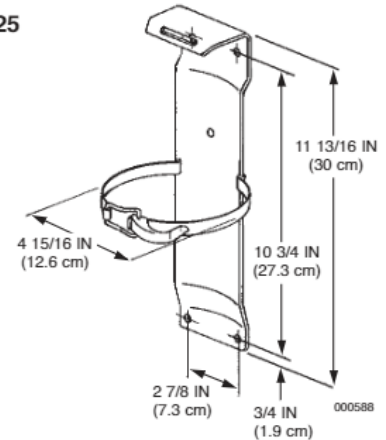
- SY-0216
- SY-0236
- SY-0241
- SY-0243
- A02
- A02VB
- C02VB
- FE02VB



HOLE SIZE: 1/8 IN (0.3 cm)

Part No. 31025

- SY-0513
- SY-0514
- SY-0613
- SY-0614
- SY-0621
- SY-0622
- SY-0623
- SY-0624
- SY-0631
- SY-0634

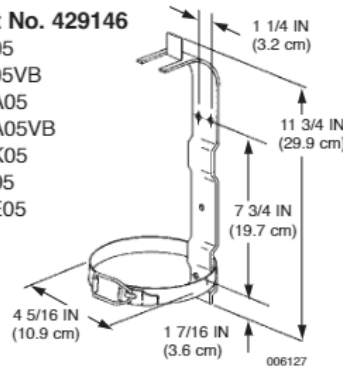


HOLE SIZE: 1/8 IN (0.3 cm)



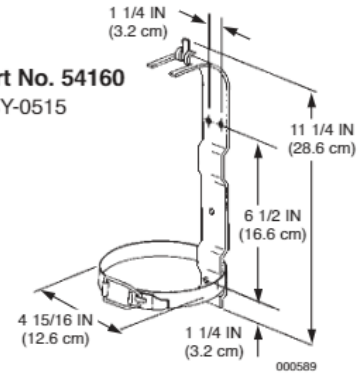
Part No. 429146

- A05
- A05VB
- AA05
- AA05VB
- PK05
- C05
- FE05



Part No. 54160

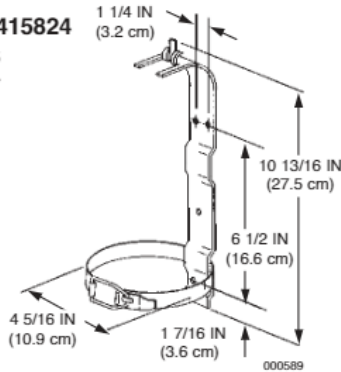
- SY-0515



HOLE SIZE: 1/4 IN (0.6 cm)

Part No. 415824

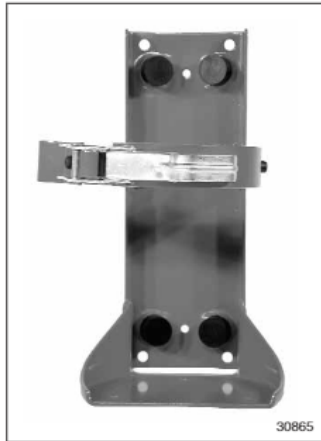
- SY-0516
- SY-0517
- SY-0521
- SY-0531



HOLE SIZE: 1/4 IN (0.6 cm)

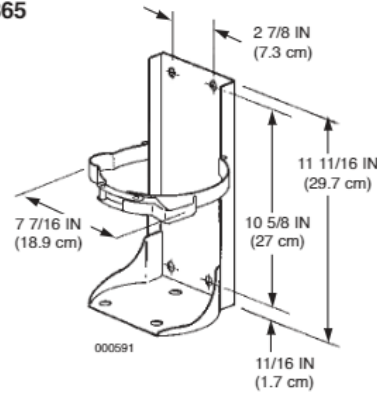
Bracket Part No.
24610
31025 (while supplies last)
429146
54160 (while supplies last)
415824

SENTRY® DRY CHEMICAL, CO₂ & CLEANGUARD® EXTINGUISHER BRACKETS



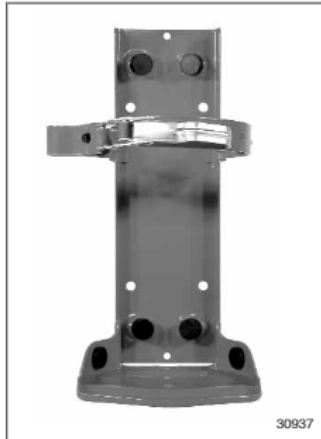
Part No. 30865

- SY-1013
- SY-1014
- SY-1023
- SY-1024
- SY-1033
- SY-1034
- SY-1441
- A10H
- A10I
- PK10
- PK10I
- C10
- C10I



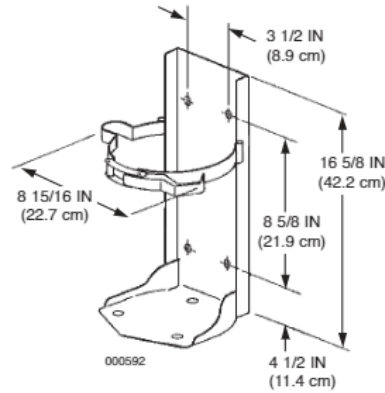
HOLE SIZE: 3/8 IN (1 cm)

Bracket Part No.
30865
30937
25419
79456



Part No. 30937

- SY-2013
- SY-2014
- SY-2023
- SY-2024
- SY-2033
- SY-2034
- SY-1741
- CA-1481
- AA20
- A20I
- PK20
- PK20I
- C20
- C20I
- FE13
- W02-1

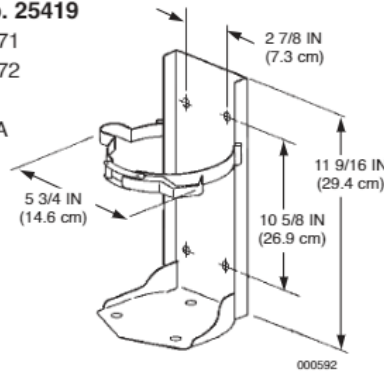


HOLE SIZE: 7/16 IN (1.1 cm)



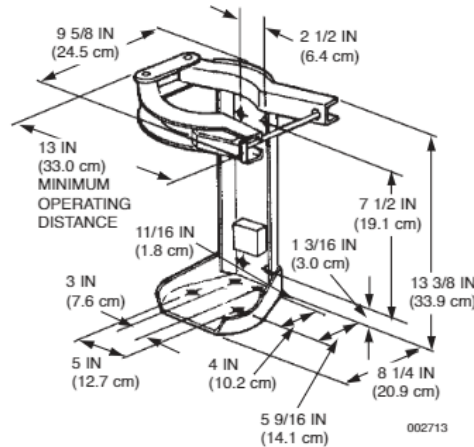
Part No. 25419

- SY-0571
- SY-0572
- CD05
- CD05A



Part No. 79456

- SY-1071
- SY-1072
- SY-1571
- SY-1572
- CD10
- CD15
- CD10A
- CD15A

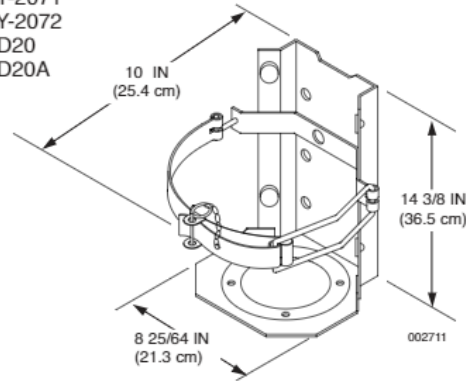


SENTRY® DRY CHEMICAL & CLEANGUARD® EXTINGUISHER BRACKETS



Part No. 25420

- SY-2071
- SY-2072
- CD20
- CD20A



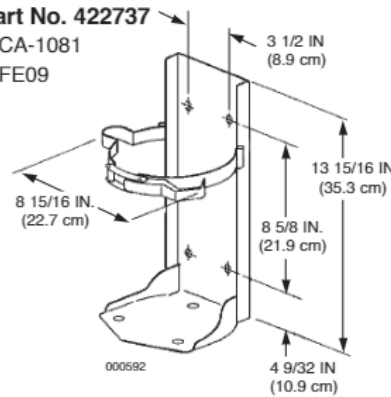
**Bracket
Part No.**

- | |
|--------|
| 25420 |
| 422737 |
| 417898 |



Part No. 422737

- CA-1081
- FE09

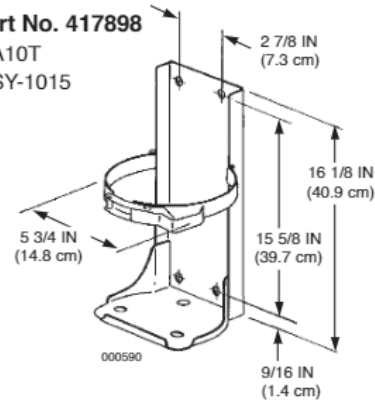


HOLE SIZE: 7/16 IN (1.1 cm)



Part No. 417898

- A10T
- SY-1015



HOLE SIZE: 3/8 IN (1 cm)